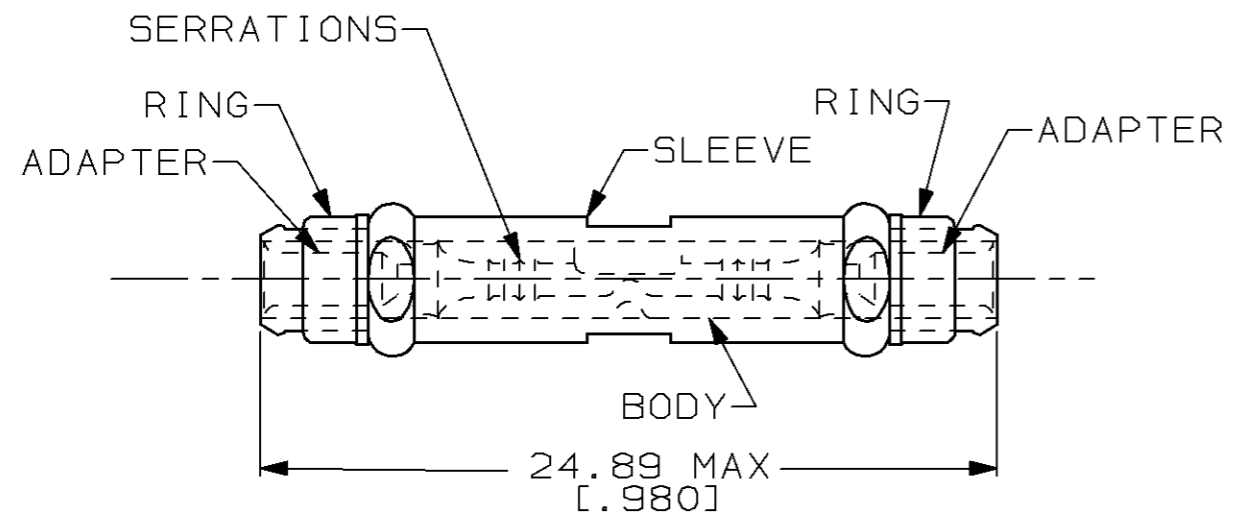


THIS DRAWING IS UNPUBLISHED. RELEASED FOR PUBLICATION, 19 .
 © COPYRIGHT 19 BY AMP INCORPORATED. ALL RIGHTS RESERVED.

LOC	DIST	REVISIONS			
P	LTR	DESCRIPTION	DATE	DWN	APVD
G	14	P			
		P	REVISE&REDRAW ON CAD/OL20-0142-97	29AUG97	ME SB

- ① WIRE INSULATION DIA 1.17-1.78 [.046-.070] ORANGE END
 WIRE INSULATION DIA 1.17-2.29 [.046-.090] TIN PLATED END
- ② COPPER PER ASTM B 152
- ③ ZINC PLT, DYE (SEE TABLE)
- ④ TIN PLT PER ASTM B 545



ORANGE END, TIN PLT END	①	25	LOOSE PIECE	1-324987-1
ORANGE	1.17-1.78 [.046-.070]	25	LOOSE PIECE	1-324987-0
GREEN	1.17-1.52 [.046-.060]	25	LOOSE PIECE	324987
RING COLOR	WIRE INSULATION DIA	QTY	PACKAGE TYPE	PART NUMBER

AMP INCORPORATED
 CUSTOMER SERVICE SYSTEM

FOR ADDITIONAL PRODUCT INFORMATION OR COPIES OF DRAWINGS AND TECHNICAL DOCUMENTS: PRODUCT INFORMATION CENTER 1-800-522-6752

FOR APPLICATION TOOLING INFORMATION: TOOLING ASSISTANCE CENTER 1-800-722-1111

FOR ORDER ENTRY: 1-800-526-5142

MAX RECOMMENDED OPERATING TEMPERATURE: -

VOLTAGE RATING: -

CIRCULAR MIL AREA: -

THIS DRAWING IS A CONTROLLED DOCUMENT.

DIMENSIONS: mm

TOLERANCES UNLESS OTHERWISE SPECIFIED:

0 PLC	±-
1 PLC	±-
2 PLC	±-
3 PLC	±-
4 PLC	±-
ANGLES	±-

MATERIAL: RING & BODY ②, SLEEVE & ADAPTER, NYLON, NATURAL

FINISH: RING ③, BODY ④

DWN M ELLIS, CHK S BORTNER, APVD C FOX, PRODUCT SPEC, APPLICATION SPEC, WEIGHT -

AMP AMP Incorporated, Harrisburg, PA 17105-3608

NAME: ASSEMBLY, SPLICE, BUTT, CERTI-SEAL™, 24-20 AWG

SIZE: A3, CAGE CODE: 00779, DRAWING NO: C-324987, RESTRICTED TO: -

CUSTOMER DRAWING, SCALE: 4:1, SHEET: 1 OF 1, REV: P